



OmegaOne

Fittings.
Made.
Easy.



AMFM Braid Bands
Stainless Steel Tube
and Pipe Fittings



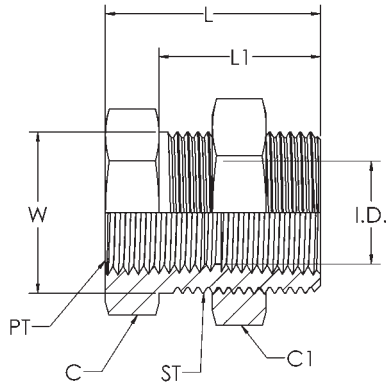
P
Threaded
Fittings



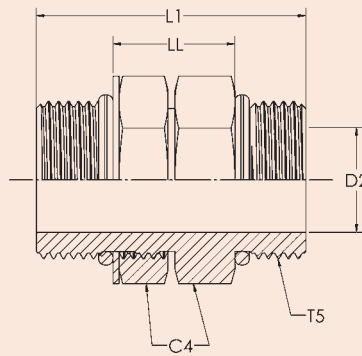
Call toll free:

800.333.2636

207ACBH



P-GCU



Pipe Fittings

P

207ACBH

Anchor Coupling

Part #	PT	ST	C	C1	L	L1	W*	ID Flow
207ACBH-4S	1/4	3/4-16	1	1	.94	.69	.75	.421
207ACBH-4	1/4	3/4-16	1	1	1.50	1.25	.75	.421
207ACBH-6	3/8	1-14	1 1/8	1 1/4	1.31	1.13	1.00	.570
207ACBH-8	1/2	1 1/8-14	1 1/4	1 3/8	1.50	1.25	1.13	.687
207ACBH-12	3/4	1 5/16-12	1 1/2	1 5/8	1.50	.990	1.31	.906

W* - BULKHEAD PILOT DIAMETER RECOMMENDED CLEARANCE HOLE +.015" OVER W* DIAMETER

P-GCU Straight Thread Union • Straight Thread O-Ring/Adjustable Straight Thread

P-GCU

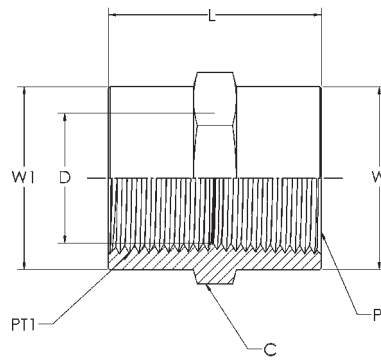
Tube Fitting Part #	T5 Port THD UN/UNF-2A	C4 Hex	D2 Drill	L1	LL After Assy.	Dynamic Pressure Rating
P-4-GCU	7/16-20	9/16	.203	1.22	.47	6000
P-6-GCU	9/16-18	11/16	.297	1.41	.59	6000
P-8-GCU	3/4-16	7/8	.422	1.56	.63	6000
P-10-GCU	7/8-14	1	.484	1.81	.75	5400
P-12-GCU	1 1/16-12	1 1/4	.656	2.13	.89	4800
P-16-GCU	1 5/16-12	1 1/2	.875	2.13	.89	3600
P-20-GCU	1 5/8-12	1 7/8	1.078	2.13	.89	3000
P-24-GCU	1 7/8-12	2 1/8	1.344	2.13	.89	2400
P-32-GCU	2 1/2-12	2 3/4	1.813	2.13	.89	1800

3474

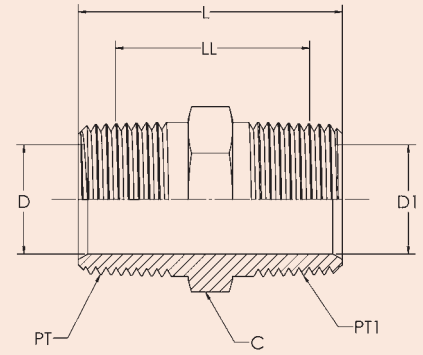
800.333.2636

Omega1.com

P-HC



P-HN



P-HC

Hex Pipe Coupling • Female Pipe Thread/Female Pipe Thread

5000
SAE 140138

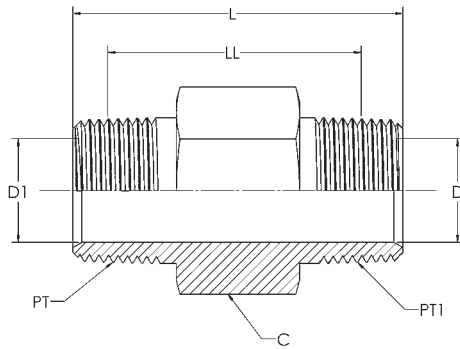
Tube Fitting Part #	PT Port Thread NPTF	PT1 Port THD NPTF	C Hex	Ref D Drill	L	W	W1	Dynamic Pressure Rtg
P-1/8-HC	1/8-27	1/8-27	5/8	.328	.75	.63	.63	7200
P-1/4 X 1/8-HC	1/4-18	1/8-27	3/4	.328	.94	.75	.63	7200
P-1/4-HC	1/4-18	1/4-18	3/4	.422	1.13	.75	.75	7200
P-3/8 X 1/8-HC	3/8-18	1/8-27	7/8	.328	1.03	.88	.63	7200
P-3/8 X 1/4-HC	3/8-18	1/4-18	7/8	.422	1.13	.88	.75	7200
P-3/8-HC	3/8-18	3/8-18	7/8	.563	1.13	.88	.88	7200
P-1/2 X 1/8-HC	1/2-14	1/8-27	1 1/8	.328	1.06	1.13	.63	6000
P-1/2 X 3/8-HC	1/2-14	1/4-18	1 1/8	.422	1.38	1.13	.75	6000
P-1/2 X 1/4-HC	1/2-14	3/8-18	1 1/8	.563	1.50	1.13	.88	6000
P-1/2-HC	1/2-14	1/2-14	1 1/8	.688	1.50	1.13	1.13	6000
P-3/4 X 1/4-HC	3/4-14	1/4-18	1 3/8	.422	1.55	1.36	.75	4800
P-3/4 X 1/2-HC	3/4-14	1/2-14	1 3/8	.688	1.88	1.36	1.13	4800
P-3/4-HC	3/4-14	3/4-14	1 3/8	.891	1.53	1.38	1.38	4800
P-1-HC	1-11 1/2	1-11 1/2	1 5/8	1.125	1.89	1.63	1.63	3600
P-1 X 1/2-HC	1-11 1/2	1/2-14	1 5/8	.688	1.77	1.63	1.13	3600
P-1 X 3/4-HC	1-11 1/2	3/4-14	1 5/8	.891	1.77	1.63	1.38	3600
P-1 1/4-HC	1 1/4-11 1/2	1 1/4-11 1/2	2	1.469	1.93	2.00	2.00	3000
P-1 1/4 X 1-HC	1 1/4-11 1/2	1-11 1/2	2	1.125	1.93	2.00	1/63	3000
P-1 1/2-HC	1 1/2-11 1/2	1 1/2-11 1/2	2 3/8	1.703	1.94	2.38	2.38	2400
P-1 1/2 X 1 1/4-HC	1 1/2-11 1/2	1 1/4-11 1/2	2 3/8	1.469	1.93	2.37	2.37	2400
P-2-HC	2-11 1/2	2-11 1/2	2 7/8	2.188	1.96	2.88	2.88	2400

P-HN

Hex Nipple X Hollow Hex Plug • Male Pipe Thread

5404
SAE 140137

Tube Fitting Part #	PT Port Thread NPTF	PT1 Port THD NPTF	C Hex	D Drill	D1 Drill	L	LL After Assy.	Dynamic Pressure Rtg
P-1/8-HN	1/8-27	1/8-27	7/16	.188	.188	1.06	.59	7200
P-1/4 X 1/8-HN	1/4-18	1/8-27	5/8	.281	.188	1.25	.68	7200
P-1/4-HN	1/4-18	1/4-18	5/8	.281	.281	1.45	.77	7200
P-3/8 X 1/8-HN	3/8-18	1/8-27	3/4	.406	.188	1.45	.87	7200
P-3/8 X 1/4-HN	3/8-18	1/4-18	3/4	.406	.281	1.45	.76	7200
P-3/8-HN	3/8-18	3/8-18	3/4	.406	.406	1.45	.75	7200
P-1/2 X 1/8-HN	1/2-14	3/8-14	7/8	.406	.188	1.45	.87	7200
P-1/2 X 3/8-HN	1/2-14	3/8-18	7/8	.531	.406	1.70	.89	7200
P-1/2 X 1/4-HN	1/2-14	1/4-18	7/8	.531	.281	1.70	.90	7200
P-1/2-HN	1/2-14	1/2-14	7/8	.531	.531	1.89	.96	7200
P-3/4 X 1/4-HN	3/4-14	1/4-18	1 1/8	.719	.281	1.78	.96	7200
P-3/4 X 3/8-HN	3/4-14	3/8-14	1 1/8	.719	.406	1.78	.95	7200
P-3/4 X 1/2-HN	3/4-14	1/2-14	1 1/8	.719	.531	1.96	.84	7200
P-3/4-HN	3/4-14	3/4-14	1 1/8	.719	.719	1.96	.70	7200
P-1-HN	1-11 1/2	1-11 1/2	1 3/8	.938	.938	2.34	1.19	7200
P-1 X 1/4-HN	1-11 1/2	1/4-14	1 3/8	.938	.281	1.96	1.05	7200
P-1 X 3/8-HN	1-11 1/2	3/8-14	1 3/8	.938	.406	1.96	1.04	7200
P-1 X 1/2-HN	1-11 1/2	1/2-14	1 3/8	.938	.531	2.09	1.06	7200
P-1 X 3/4-HN	1-11 1/2	3/4-14	1 3/8	.719	.719	2.09	1.04	7200
P-1 1/4 X 1-HN	1 1/4-11 1/2	1-11 1/2	1 3/4	1.250	.938	2.45	1.28	6000
P-1 1/4-HN	1 1/4-11 1/2	1 1/4-11 1/2	1 3/4	1.250	1.250	2.48	1.29	6000
P-1 1/2-HN	1 1/2-11 1/2	1 1/2-11 1/2	2	1.500	1.500	2.61	1.42	3600
P-1 1/2 X 1-HN	1 1/2-11 1/2	1-11 1/2	2	1.500	.938	2.55	1.38	3600
P-2-HN	2-11 1/2	2-11 1/2	2 1/2	1.938	1.938	2.83	1.61	3000
P-2 X 1 1/2-HN	2-11 1/2	1 1/2-11 1/2	2 1/2	1.500	1.500	2.79	1.58	3000



P-LHN

Long Pipe Nipple • Male Pipe Thread/Male Pipe Thread

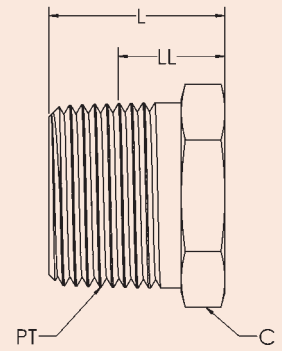
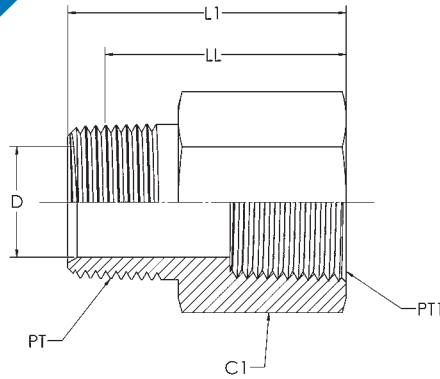
Tube Fitting Part #	PT Port Thread NPTF	C Hex	D Drill	L	LL After Assy.	Dynamic Pressure Rating
P-1/8-LHN X 1.5	1/8-27	7/16	.188	1.50	1.03	7200
P-1/8-LHN X 2.0	1/8-27	7/16	.188	2.00	1.53	7200
P-1/8-LHN X 2.5	1/8-27	7/16	.188	2.50	2.03	7200
P-1/8-LHN X 3.0	1/8-27	7/16	.188	3.00	2.53	7200
P-1/4-LHN X 1.5	1/4-18	5/8	.281	1.50	.82	7200
P-1/4-LHN X 2.0	1/4-18	5/8	.281	2.00	1.32	7200
P-1/4-LHN X 2.5	1/4-18	5/8	.281	2.50	1.82	7200
P-1/4-LHN X 3.0	1/4-18	5/8	.281	3.00	2.32	7200
P-1/4-LHN X 4.0	1/4-18	5/8	.281	4.00	3.32	7200
P-3/8-LHN X 2.0	3/8-18	3/4	.406	2.00	1.30	7200
P-3/8-LHN X 3.0	3/8-18	3/4	.406	3.00	2.30	7200
P-3/8-LHN X 3.5	3/8-18	3/4	.406	3.50	2.80	7200
P-3/8-LHN X 4.0	3/8-18	3/4	.406	4.00	3.30	7200
P-1/2-LHN X 2.0	1/2-14	7/8	.531	2.00	1.07	7200
P-1/2-LHN X 2.5	1/2-14	7/8	.531	2.50	1.57	7200
P-1/2-LHN X 3.0	1/2-14	7/8	.531	3.00	2.07	7200
P-1/2-LHN X 4.0	1/2-14	7/8	.531	4.00	3.07	7200
P-1/2-LHN X 6.0	1/2-14	7/8	.531	6.00	5.07	7200
P-3/4-LHN X 3.00	3/4-14	1 1/8	.719	3.00	2.04	7200
P-1-LHN X 3.00	1-11 1/2	1 3/8	.938	3.00	1.86	7200

800.333.2636

Omega1.com

P-RA

P-HP



P-RA

Reducing Adapter • Female Pipe Thread/Male Pipe Thread

5405
SAE 140139

Tube Fitting Part #	PT Port Thread NPTF	PT1 Port THD NPTF	C1 Hex	D Drill	L1	LL	Dynamic Pressure Rtg
P-1/8-RA	1/8-27	1/8-27	5/8	.188	1.03	.80	7200
P-1/4 X 1/8-RA	1/8-27	1/4-18	3/4	.188	1.20	.97	7200
P-1/4-RA	1/4-18	1/4-18	3/4	.281	1.39	1.05	7200
P-3/8 X 1/8-RA	1/8-27	3/8-18	7/8	.188	1.25	1.02	7200
P-3/8 X 1/4-RA	1/4-18	3/8-18	7/8	.281	1.44	1.10	7200
P-3/8-RA	3/8-18	3/8-18	7/8	.406	1.44	1.09	7200
P-1/2 X 1/8-RA	1/8-27	1/2-14	1 1/8	.188	1.50	1.27	6000
P-1/2 X 1/4-RA	1/4-18	1/2-14	1 1/8	.281	1.69	1.35	6000
P-1/2 X 3/8-RA	3/8-18	1/2-14	1 1/8	.406	1.69	1.34	6000
P-1/2-RA	1/2-14	1/2-14	1 1/8	.531	1.69	1.23	6000
P-3/4 X 1/4-RA	1/4-18	3/4-14	1 3/8	.281	1.75	1.41	4800
P-3/4 X 3/8-RA	3/8-18	3/4-14	1 3/8	.406	1.75	1.40	4800
P-3/4 X 1/2-RA	1/2-14	3/4-14	1 3/8	.531	1.94	1.48	4800
P-1-RA	1-11 1/2	1-11 1/2	1 5/8	.938	2.37	1.80	3600
P-1 X 1/4-RA	1/4-18	1-11 1/2	1 5/8	.281	2.01	1.67	3600
P-1 X 1/2-RA	1/2-14	1-11 1/2	1 5/8	.531	2.19	1.73	3600
P-1 X 3/4-RA	3/4-14	1-11 1/2	1 5/8	.719	2.19	1.71	3600
P-1 1/4-RA	1 1/4-11 1/2	1 1/4-11 1/2	2	1.250	2.50	1.91	3000
P-1 1/4 X 1-RA	1-11 1/2	1 1/4-11 1/2	2	.938	2.47	1.90	3000
P-1 1/2 X 1-RA	1-11 1/2	1 1/2-11 1/2	2 3/8	0.938	2.47	1.90	2400
P-2-RA	2-11 1/2	2-11 1/2	2 7/8	1.938	2.66	2.06	2400

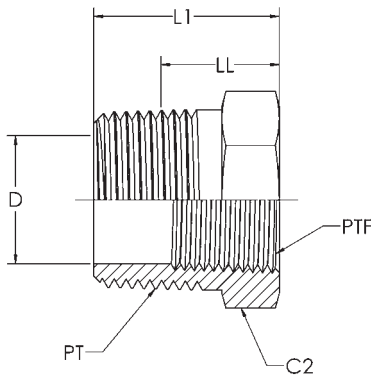
P-HP

Hex Head Plug • Male Pipe Thread

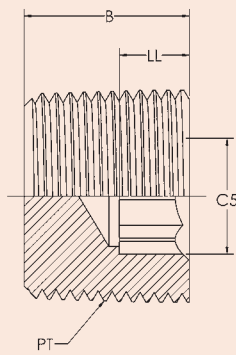
5406-P
SAE 130109E

Tube Fitting Part #	PT Port THD NPTF	C Hex	L	LL	Dynamic Pressure Rating
P-1/8-HP	1/8-27	7/16	.560	.330	7200
P-1/4-HP	1/4-18	9/16	.750	.410	7200
P-3/8-HP	3/8-18	11/16	.780	.430	7200
P-1/2-HP	1/2-14	7/8	.970	.510	7200
P-3/4-HP	3/4-14	1 1/16	1.060	.580	7200
P-1-HP	1-11 1/2	1 3/8	1.250	.680	7200
P-1 1/4-HP	1 1/4-11 1/2	1 3/4	1.410	.410	6000
P-1 1/2-HP	1 1/2-11 1/2	2	1.500	.860	3600
P-2-HP	2-11 1/2	2 1/2	1.690	1.080	3000

P-PTR



P-CP



Pipe Fittings



P-PTR

Pipe Thread Reducer • Male Pipe Thread/Female Pipe Thread

Tube Fitting Part #	PT Port Thread NPTF	PTF Port THD NPTF	C2 Hex	Ref D Drill	L1	LL	Dynamic Pressure Rtg
P-1/4 X 1/8-PTR	1/4-18	1/8-27	5/8	.328	.86	.52	7200
P-3/8 X 1/8-PTR	3/8-18	1/8-27	3/4	.328	.86	.51	7200
P-3/8 X 1/4-PTR	3/8-18	1/4-18	3/4	.422	.86	.51	7200
P-1/2 X 1/8-PTR	1/2-14	1/8-27	7/8	.328	1.11	.65	6000
P-1/2 X 1/4-PTR	1/2-14	1/4-18	7/8	.422	1.11	.65	6000
P-1/2 X 3/8-PTR	1/2-14	3/8-18	7/8	.563	1.11	.65	6000
P-3/4 X 1/8-PTR	3/4-14	1/8-27	1 1/8	.328	1.17	.69	4800
P-3/4 X 1/4-PTR	3/4-14	1/4-18	1 1/8	.422	1.17	.69	4800
P-3/4 X 3/8-PTR	3/4-14	3/8-18	1 1/8	.563	1.17	.69	4800
P-3/4 X 1/2-PTR	3/4-14	1/2-14	1 1/8	.688	1.17	.69	4800
P-1 X 1/8-PTR	1-11 1/2	1/8-27	1 3/8	.328	1.36	.79	4800
P-1 X 3/8-PTR	1-11 1/2	3/8-18	1 3/8	.563	1.36	.79	3600
P-1 X 1/2-PTR	1-11 1/2	1/2-14	1 3/8	.688	1.36	.79	3600
P-1 X 3/4-PTR	1-11 1/2	3/4-14	1 3/8	.891	1.36	.79	3600
P-1 1/4 X 1/4-PTR	1 1/4-11 1/2	1/4-18	1 3/4	.328	1.47	.53	3600
P-1 1/4 X 3/8-PTR	1 1/4-11 1/2	3/8-18	1 3/4	.563	1.47	.87	3000
P-1 1/4 X 1/2-PTR	1 1/4-11 1/2	1/2-14	1 3/4	.688	1.47	.87	3000
P-1 1/4 X 3/4-PTR	1 1/4-11 1/2	3/4-14	1 3/4	.891	1.47	.88	3000
P-1 1/4 X 1-PTR	1 1/4-11 1/2	1-11 1/2	1 3/4	1.125	1.47	.88	3000
P-1 1/2 X 1/4-PTR	1 1/2-11 1/2	1/4-18	2	.328	1.52	.92	2400
P-1 1/2 X 3/8-PTR	1 1/2-11 1/2	3/8-18	2	.563	1.58	.98	2400
P-1 1/2 X 3/4-PTR	1 1/2-11 1/2	3/4-14	2	.891	1.58	.98	2400
P-1 1/2 X 1-PTR	1 1/2-11 1/2	1-11 1/2	2	1.125	1.58	.99	2400
P-1 1/2 X 1 1/4-PTR	1 1/2-11 1/2	1 1/4-11 1/2	2	1.469	1.58	.99	2400
P-2 X 1/2-PTR	2-11 1/2	1/2-14	2 1/2	.688	1.75	1.14	2400
P-2 X 3/4-PTR	2-11 1/2	3/4-14	2 1/2	.891	1.75	1.14	2400
P-2 X 1-PTR	2-11 1/2	1-11 1/2	2 1/2	1.125	1.75	1.14	2400
P-2 X 1 1/4-PTR	2-11 1/2	1 1/4-11 1/2	2 1/2	1.469	1.75	1.14	2400
P-2 X 1 1/2-PTR	2-11 1/2	1 1/2-11 1/2	2 1/2	1.719	1.75	1.14	2400

5406
SAE 140140

Hollow Hex Plug • Male Pipe Thread

Tube Fitting Part #	PT Port THD NPTF	C5 Internal Hex	B	LL	Dynamic Pressure Rating
P-1/8-CP	1/8-27	3/16	.300	.070	7200
P-1/4-CP	1/4-18	1/4	.460	.120	7200
P-3/8-CP	3/8-18	5/16	.460	.110	7200
P-1/2-CP	1/2-14	3/8	.610	.150	7200
P-3/4-CP	3/4-14	9/16	.620	.140	7200
P-1-CP	1-11 1/2	1 3/8	.770	.190	7200

C5 - ACROSS INTERNAL HEX FLATS

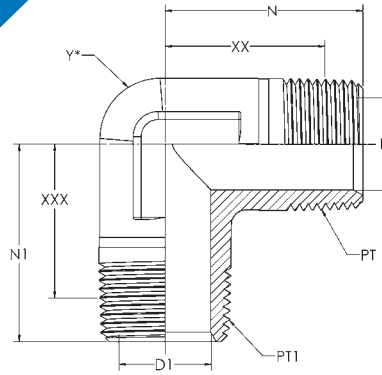
P-CP

5406-HP
SAE 130109N

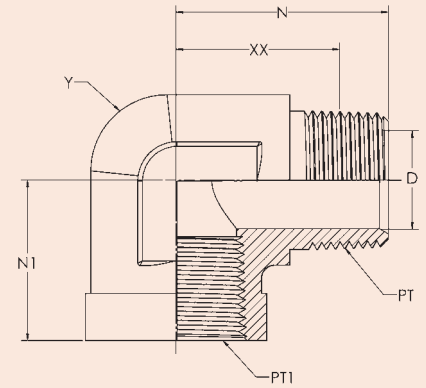
800.333.2636

Omega1.com

P-MM



P-MF



P-MM

Male Pipe Elbow

5500
SAE 140237

Part #	PT NPTF	PT1 NPTF	D DRILL	D1 DRILL	N	N1	XX	XXX	Y Across Wrench Flats	Dynamic Pressure Rtg
P-1/8-MM	1/8-27	1/8-27	.187	.187	.78	.78	.55	.55	7/16	6000
P-1/4-MM	1/4-18	1/4-18	.281	.281	1.09	1.09	.75	.75	9/16	6000
P-3/8-MM	3/8-18	3/8-18	.406	.406	1.22	1.22	.87	.87	3/4	6000
P-3/8 X 1/4-MM	3/8-18	1/4-18	.406	.281	1.22	1.22	.87	.87	3/4	6000
P-1/2-MM	1/2-14	1/2-14	.531	.531	1.47	1.47	1.01	1.01	7/8	6000
P-1/2 X 3/8-MM	1/2-14	3/8-18	.531	.406	1.47	1.28	1.01	.82	7/8	6000
P-3/4-MM	3/4-14	3/4-14	.719	.719	1.59	1.59	1.11	1.11	1 1/16	4000
P-3/4 X 1/2-MM	3/4-14	1/2-14	.719	.531	1.59	1.47	1.11	.99	1 1/16	4000
P-1-MM	1-11 1/2	1-11 1/2	.938	.938	1.97	1.97	1.40	1.40	1 5/8	3000
P-1 X 3/4-MM	1-11 1/2	3/4-14	.938	.719	1.97	1.78	1.40	1.30	1 5/16	3000
P-1 1/4-MM	1 1/4-11 1/2	1 1/4-11 1/2	1.250	1.250	2.22	2.22	1.63	1.63	1 7/8	2500
P-1 1/2-MM	1 1/2-11 1/2	1 1/2-11 1/2	1.500	1.500	2.34	2.34	1.75	1.75	1 7/8	2500

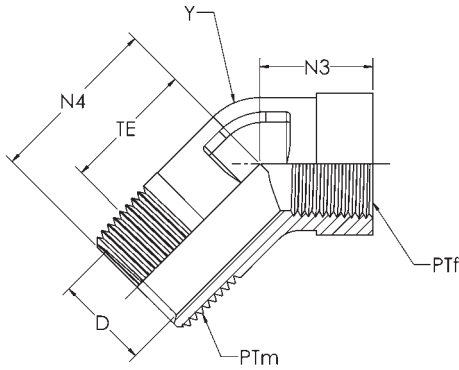
P-MF

Street Elbow

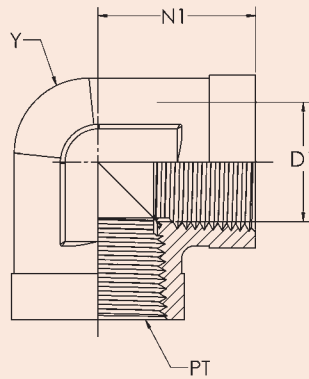
5502
SAE 140239

Part #	PT NPTF	PT1 NPTF	D DRILL	N	N1	XX	Y Across Wrench Flats	Dynamic Pressure Rtg
P-1/8-MF	1/8-27	1/8-27	.188	0.78	0.66	0.55	9/16	5000
P-1/8 X 1/4-MF	1/8-27	1/4-18	.188	0.88	0.88	0.65	9/16	5000
P-1/4-MF	1/4-18	1/4-18	.281	1.09	0.88	0.75	3/4	5000
P-1/4 X 1/8-MF	1/4-18	1/8-27	.281	1.09	0.66	0.75	9/16	5000
P-1/4 X 1/2-MF	1/4-18	1/2-14	.281	1.28	1.23	0.89	1 1/16	3000
P-1/4 X 3/8-MF	1/4-18	3/8-18	.281	1.22	1.01	0.87	7/8	4500
P-3/8-MF	3/8-18	3/8-18	.406	1.22	1.02	0.87	7/8	4500
P-3/8 X 1/4-MF	3/8-18	1/4-18	.406	1.22	0.88	0.87	3/4	5000
P-3/8 X 1/2-MF	3/8-18	1/2-14	.406	1.28	1.23	0.93	1 1/16	3000
P-1/2-MF	1/2-14	1/2-14	.531	1.47	1.23	1.01	1 1/16	3000
P-1/2 X 3/8-MF	1/2-14	3/8-18	.531	1.48	1.25	1.02	7/8	4500
P-1/2 X 3/4-MF	1/2-14	3/4-14	.531	1.59	1.36	1.13	1 5/16	3000
P-3/4-MF	3/4-14	3/4-14	.719	1.59	1.36	1.11	1 5/16	3000
P-3/4 X 1/2-MF	3/4-14	1/2-14	.719	1.59	1.23	1.11	1 1/16	3000
P-1-MF	1-11 1/2	1-11 1/2	.938	1.97	1.63	1.40	1 5/8	1750
P- 1 1/4-MF	1 1/4-11 1/2	1 1/4-11 1/2	1.250	2.38	1.70	1.79	1 7/8	3000
P-1 1/2-MF	1 1/2-11 1/2	1 1/2-11 1/2	1.500	2.64	2.08	2.05	2 1/2	3000

P-MF-45



P-FF



Pipe Fittings

P

45 Street Elbow

P-MF-45

Part #	PTm NPTF	PTf NPTF	D DRILL	N3	N4	TE	Y Across Wrench Flats	Dynamic Pressure Rtg
P-1/8-MF-45	1/8-27	1/8-27	.188	.47	.72	.23	9/16	5000
P-1/4-MF-45	1/4-18	1/4-18	.281	.63	1.05	.34	3/4	5000
P-3/8-MF-45	3/8-18	3/8-18	.406	.72	1.06	.35	7/8	4500
P-1/2-MF-45	1/2-14	1/2-14	.531	.91	1.34	.45	1 1/16	3000
P-3/4-MF-45	3/4-14	3/4-14	.719	.97	1.38	.48	1 5/16	3000
P-1-MF-45	1-11 1/2	1-11 1/2	.938	1.13	1.72	.57	1 5/8	1750
P-1 1/4-MF-45	1 1/4-11 1/2	1 1/4-11 1/2	1.250	1.63	1.80	.59	1 7/8	1500

5503
SAE 140339

Female Pipe Elbow • Female Pipe Thread/Female Pipe Thread

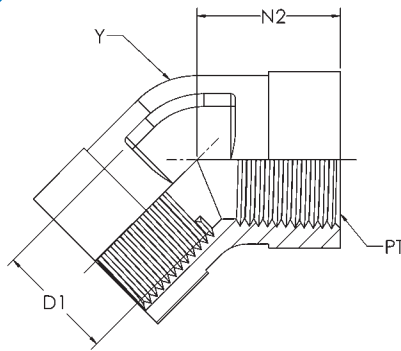
Tube Fitting Part #	PT Port THD NPTF	Ref D1 Drill	N1	Y Across Wrench Flats	Dynamic Pressure Rtg
P-1/8-FF	1/8-27	.328	.66	9/16	5000
P-1/4-FF	1/4-18	.422	.88	3/4	5000
P-3/8-FF	3/8-18	.563	1.02	7/8	4500
P-1/2-FF	1/2-14	.688	1.23	1 1/16	3000
P-3/4-FF	3/4-14	.891	1.36	1 5/16	3000
P-1-FF	1-11 1/2	1.125	1.62	1 5/8	1750
P-1 1/4-FF	1 1/4-11 1/2	1.469	1.70	1 7/8	1500
P-1 1/2-FF	1 1/2-11 1/2	1.703	2.08	2 1/2	1500

P-FF
5504
SAE 140238

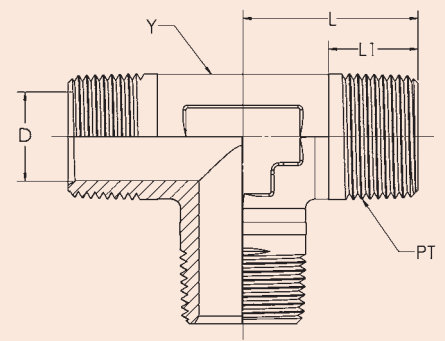
800.333.2636

Omega1.com

P-FF-45



P-MMM



P-FF-45

Female Pipe Elbow-45 • Female Pipe Thread/Female Pipe Thread

5505
SAE 140338

Tube Fitting Part #	PT Port Thread NPTF	Ref D1 Drill	N2	Y Across Wrench Flats	Dynamic Pressure Rtg
P-1/4-FF-45	1/4-18	.422	.69	3/4	5000
P-3/8-FF-45	3/8-18	.563	.75	7/8	4500
P-1/2-FF-45	1/2-14	.688	.94	1 1/16	3000
P-3/4-FF-45	3/4-14	.906	1.00	1 5/16	3000
P-1-FF-45	1-11 1/2	1.125	1.19	1 5/8	1750

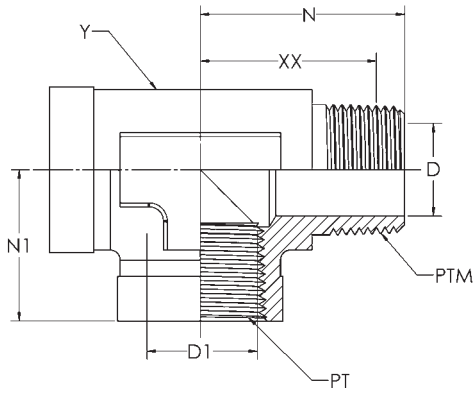
P-MMM

Female Pipe Tee • Male Pipe Thread (all three ends)

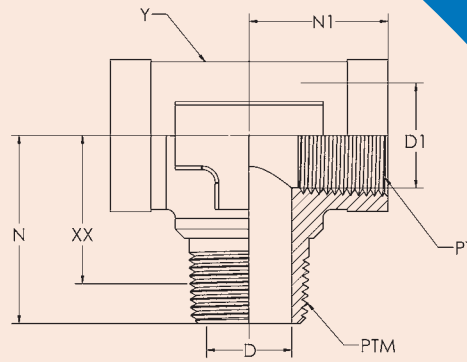
5600
SAE 140437

Tube Fitting Part #	PT Port Thread NPTF	D	L	L1	Y Across Wrench Flats	Dynamic Pressure Rating
P-1/8-MMM	1/8-27	.19	.78	.38	7/16	5000
P-1/4-MMM	1/4-18	.28	1.09	.56	9/16	5000
P-3/8-MMM	3/8-18	.41	1.22	.56	3/4	4500
P-1/2-MMM	1/2-14	.53	1.47	.75	7/8	3000
P-3/4-MMM	3/4-14	.72	1.59	.75	1-1/16	3000

P-FMF



P-FFM



Pipe Fittings

P

P-FMF

Male Run Tee • Male Pipe Thread/Female Pipe Thread

Tube Fitting PART #	PTM Port THD NPTF	PT Port THD NPTF	D Drill	Ref D1 Drill	N	N1	XX After Assy.	Y Across Wrench Flats	Dynamic Pressure Rtg
P-1/8-FMF	1/8-27	1/8-27	.188	.328	.78	.66	0.55	9/16	5000
P-1/4-FMF	1/4-18	1/4-18	.281	.422	1.09	.88	.75	3/4	5000
P-3/8-FMF	3/8-18	3/8-18	.406	.563	1.22	1.02	.87	7/8	4500
P-1/2-FMF	1/2-14	1/2-14	.531	.688	1.47	1.23	1.01	1 1/16	3000
P-3/4-FMF	3/4-14	3/4-14	.719	.891	1.59	1.36	1.11	1 5/16	3000
P-1-FMF	1-11 1/2	1-11 1/2	.938	1.125	1.97	1.63	1.40	1 5/8	1750
P-1 1/4-FMF	1 1/4-11 1/2	1 1/4-11 1/2	1.25	1.469	2.38	1.7	1.11	1.875	1500
P-1 1/2-FMF	1 1/2-11 1/2	1 1/2-11 1/2	1.5	1.719	2.64	2.08	2.05	2.5	1500

5602
SAE 140424

P-FFM

Male Branch Tee • Male Pipe Thread/Female Pipe Thread

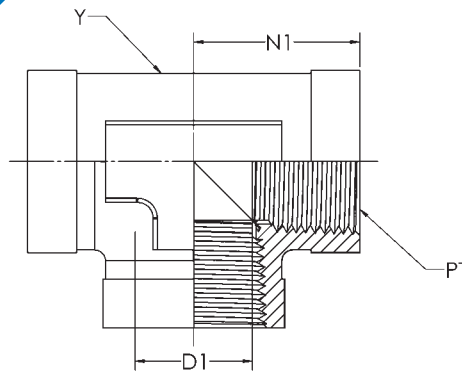
Tube Fitting PART #	PTM Port THD NPTF	PT Port THD NPTF	D Drill	Ref D1 Drill	N	N1	XX After Assy.	Y Across Wrench Flats	Dynamic Pressure Rtg
P-1/8-FFM	1/8-27	1/8-27	.188	.328	.78	.66	.55	9/16	5000
P-1/4-FFM	1/4-18	1/4-18	.281	.422	1.09	.88	.75	3/4	5000
P-3/8-FFM	3/8-18	3/8-18	.406	.563	1.22	1.02	.87	7/8	4500
P-1/2-FFM	1/2-14	1/2-14	.531	.688	1.47	1.23	1.01	1 1/16	3000
P-3/4-FFM	3/4-14	3/4-14	.719	.891	1.59	1.36	1.11	1 5/16	3000
P-1-FFM	1-11 1/2	1-11 1/2	.938	1.125	1.97	1.62	1.40	1 5/8	1750

5604
SAE 140425

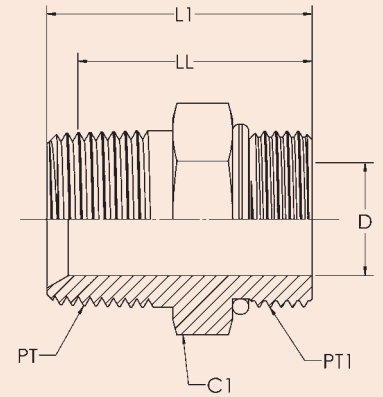
800.333.2636

Omega1.com

P-FFF



P-GCM



P-FFF

Female Pipe Tee • Female Pipe Thread (all three ends)

5605
SAE 140438

Tube Fitting Part #	PT Port THD NPTF	Ref D1 Drill	N1	Y Across Wrench Flats	Dynamic Pressure Rating
P-1/8-FFF	1/8-27	.312	.66	9/16	5000
P-1/4-FFF	1/4-18	.422	.88	3/4	5000
P-3/8-FFF	3/8-18	.563	1.02	7/8	4500
P-1/2-FFF	1/2-14	.688	1.23	1 1/16	3000
P-3/4-FFF	3/4-14	.906	1.36	1 5/16	3000
P-1-FFF	1-11 1/2	1.125	.162	1 5/8	1750
P-1 1/4-FFF	1 1/4-11 1/2	1.469	1.70	1 7/8	1500
P-1 1/2-FFF	1 1/2-11 1/2	1.719	2.08	2 1/2	1500

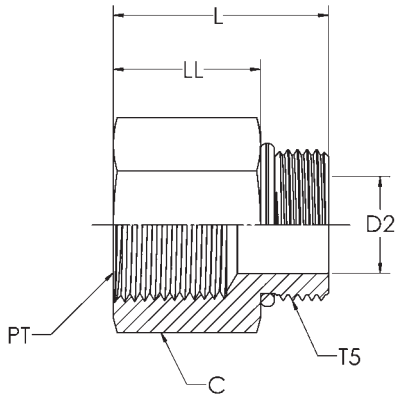
P-GCM

Male Pipe Adapter • Straight Thread O-Ring/Male Pipe Thread

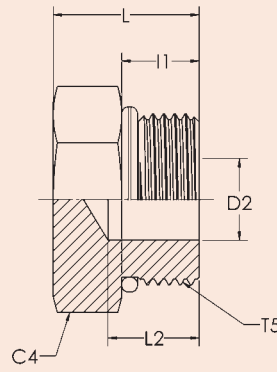
6401
SAE 090109B

Tube Fitting Part #	PT Port Thread NPTF	PT1 Port THD NPTF	C1 Hex	D Drill	L1	LL	Dynamic Pressure Rtg
P-4-1/8-GCM	7/16-20	1/8-27	9/16	.172	1.00	.64	6000
P-4-1/4-GCM	7/16-20	1/4-18	9/16	.172	1.20	.81	6000
P-5-1/4-GCM	1/2-20	1/4-18	5/8	.234	1.20	.81	6000
P-6-1/4-GCM	9/16-18	1/4-18	11/16	.297	1.25	.86	6000
P-6-3/8-GCM	9/16-18	3/8-18	11/16	.297	1.34	.95	6000
P-8-3/8-GCM	3/4-16	3/8-18	7/8	.391	1.36	.92	6000
P-8-1/2-GCM	3/4-16	1/2-14	7/8	.391	1.53	1.09	6000
P-10-1/2-GCM	7/8-14	1/2-14	1	.484	1.59	1.09	5400
P-12-3/4-GCM	1 1/16-12	3/4-14	1 1/4	.656	1.80	1.21	4800
P-16-3/4-GCM	1 5/16-12	3/4-14	1 1/2	.719	1.78	1.19	3600
P-16-1-GCM	1 5/16-12	1-11 1/2	1 1/2	.875	1.98	1.39	3600
P-20-1 1/4-GCM	1 5/8-12	1 1/4-11 1/2	1 7/8	1.078	2.02	1.43	3000

P-GCF



P-GP



Pipe Fittings



P-GCF

Female Pipe Adapter • Straight thread O-Ring/Female Pipe Thread

Tube Fitting Part #	T5 Port THD UN/UNF-2A	PT Port THD NPTF	C Hex	D2 Drill	L	LL After Assy.	Dynamic Pressure Rtg
P-2-1/8-GCF	5/16-24	1/8-27	9/16	.094	.91	.61	7200
P-4-1/8-GCF	7/16-20	1/8-27	9/16	.172	1.00	.64	7200
P-4-1/4-GCF	7/16-20	1/4-18	3/4	.172	1.16	.80	7200
P-5-1/4-GCF	1/2-20	1/4-18	3/4	.234	1.19	.83	7200
P-6-1/4-GCF	9/16-18	1/4-18	3/4	.297	1.16	.77	7200
P-6-3/8-GCF	9/16-18	3/8-18	7/8	.297	1.28	.89	7200
P-6-1/2-GCF	9/16-18	1/2-14	1 1/8	.297	1.53	1.14	7200
P-8-1/8-GCF	3/4-16	1/8-27	7/8	.391	.80	.36	7200
P-8-1/4-GCF	3/4-16	1/4-18	7/8	.391	1.13	.69	7200
P-8-3/8-GCF	3/4-16	3/8-18	7/8	.391	1.28	.84	7200
P-8-1/2-GCF	3/4-16	1/2-14	1 1/8	.391	1.50	1.06	6000
P-10-1/4-GCF	7/8-14	1/4-18	1	.500	.81	.31	6600
P-10-3/8-GCF	7/8-14	3/8-18	1	.500	1.31	.81	6600
P-10-1/2-GCF	7/8-14	1/2-14	1 1/8	.500	1.53	1.03	6000
P-10-3/4-GCF	7/8-14	3/4-14	1 3/8	.500	1.63	1.13	4800
P-12-1/4-GCF	1 1/16-12	1/4-18	1 1/4	.656	1.00	.41	6000
P-12-1/2-GCF	1 1/16-12	1/2-14	1 1/4	.656	1.41	.82	6000
P-12-3/4-GCF	1 1/16-12	3/4-14	1 3/8	.656	1.72	1.13	4800
P-14-1/2-GCF	1 3/16-12	1/2-14	1 3/8	.719	1.06	.47	4800
P-14-3/4-GCF	1 3/16-12	3/4-14	1 3/8	.719	1.69	1.10	4800
P-16-1/2-GCF	1 5/16-12	1/2-14	1 1/2	.844	1.00	.41	4800
P-16-3/4-GCF	1 5/16-12	3/4-14	1 1/2	.844	1.50	.91	4800
P-16-1-GCF	1 5/16-12	1-11 1/2	1 5/8	.875	1.88	1.29	3600
P-20-1-GCF	1 5/8-12	1-11 1/2	1 7/8	1.078	1.00	.41	3600
P-20-1 1/4-GCF	1 5/8-12	1 1/4-11 1/2	2	1.078	1.97	1.38	3000
P-20-1 1/2-GCF	1 5/8-12	1 1/2-11 1/2	2 1/4	1.078	2.16	1.56	2400
P-24-1-GCF	1 7/8-12	1-11 1/2	2 1/8	1.344	1	.41	3000
P-24-1 1/4-GCF	1 7/8-12	1 1/4-11 1/2	2 1/8	1.312	1.94	1.35	3000
P-24-1 1/2-GCF	1 7/8-12	1 1/2-11 1/2	2 1/4	1.344	2	1.41	2400
P-32-2-GCF	2 1/2-12	2-11 1/2	2 7/8	1.781	2.06	1.47	2400

6405
SAE 140425

P-GP

Hex Head Plug • Hex Head/Straight Thread O-Ring

Tube Fitting Part #	T5 Port THD UN/UNF-2A	C4 Hex	D2 Drill*	I1	L	L2*	Dynamic Pressure Rtg
P-2-GP	5/16-24	7/16	.093	.30	.60	.38	7200
P-3-GP	3/8-24	1/2	.125	.30	.60	.34	7200
P-4-GP	7/16-20	9/16	.203	.36	.67	.41	7200
P-5-GP	1/2-20	5/8	.234	.36	.67	.39	7200
P-6-GP	9/16-18	11/16	.297	.39	.73	.44	7200
P-8-GP	3/4-16	7/8	.422	.44	.80	.44	7200
P-10-GP	7/8-14	1	.500	.50	.93	.47	7200
P-12-GP	1 1/16-12	1 1/4	.656	.59	1.09	.59	7200
P-14-GP	1 3/16-12	1 3/8	.718	.59	1.09	.56	6600
P-16-GP	1 5/16-12	1 1/2	.875	.59	1.12	.50	6600
P-20-GP	1 5/8-12	1 7/8	1.093	.59	1.20	.66	4800
P-24-GP	1 7/8-12	2 1/8	1.344	.59	1.27	.34	3600
P-32-GP	2 1/2-12	2 3/4	1.813	.59	1.43	.56	2400

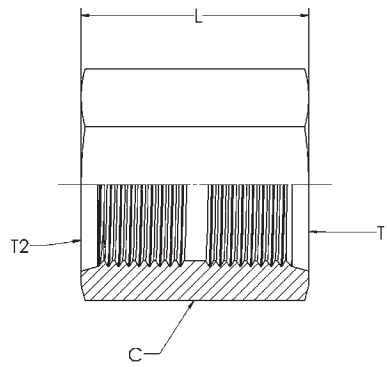
6408
SAE 090109A

*D2 DRILL & L2 DRILL DEPTH ARE AN OPTIONAL MANUFACTURING METHOD PER SAE J514

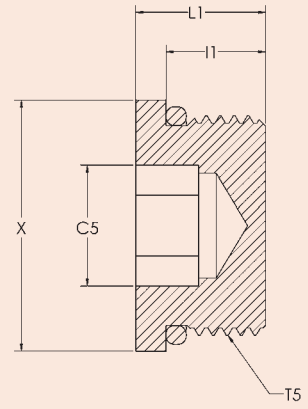
800.333.2636

Omega1.com

P-FSU



P-CGP



P-FSU

Straight Thread Coupling • Female SAE/Female SAE

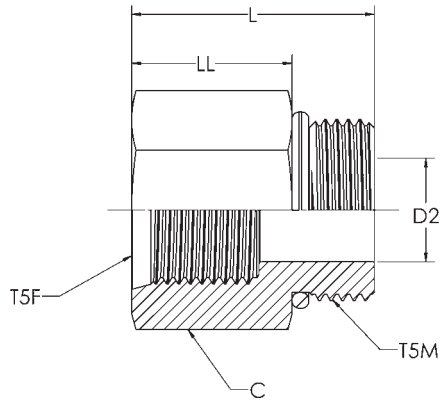
Tube Fitting PART #	T1 Port THD UN/UNF-2A	T2 Port THD UN/UNF-2A	C Hex	L	Dynamic Pressure Rating
P-4-FSU	7/16-20	7/16-20	11/16	1.13	7000
P-6-FSU	9/16-18	9/16-18	13/16	1.26	6000
P-8-FSU	3/4-16	3/4-16	1	1.42	5000
P-10-FSU	7/8-14	7/8-14	1 3/16	1.6	4500
P-12-FSU	1 1/16-12	1 1/16-12	1 3/8	1.85	4500
P-16-FSU	1 5/16-12	1 5/16-12	1 5/8	1.85	3500

P-CGP

Hollow Hex Plug • Hollow Hex/Straight Thread O-Ring

6408-H
SAE 090109B

Tube Fitting PART #	T5 Port THD UN/UNF-2A	C5 Hex	I1	L1	X Dia.	Dynamic Pressure Rating
P-2-CGP	5/16-24	1/8	.297	.40	.438	7200
P-3-CGP	3/8-24	1/8	.397	.40	.500	7200
P-4-CGP	7/16-20	3/16	.360	.47	.563	7200
P-5-CGP	1/2-20	3/16	.360	.47	.625	7200
P-6-CGP	9/16-18	1/4	.391	.50	.688	7200
P-8-CGP	3/4-16	5/16	.438	.58	.875	7200
P-10-CGP	7/8-14	3/8	.500	.65	1.000	7200
P-12-CGP	1 1/16-12	9/16	.594	.77	1.250	7200
P-14-CGP	1 3/16-12	9/16	.594	.77	1.375	6600
P-16-CGP	1 5/16-12	5/8	.594	.77	1.500	6600
P-20-CGP	1 5/8-12	3/4	.594	.77	1.875	4800
P-24-CGP	1 7/8-12	3/4	.594	.77	2.125	3600



Straight Thread Reducer/Expander
Straight Thread O-Ring/Female Straight Thread O-Ring Port

P-GCFS

6410

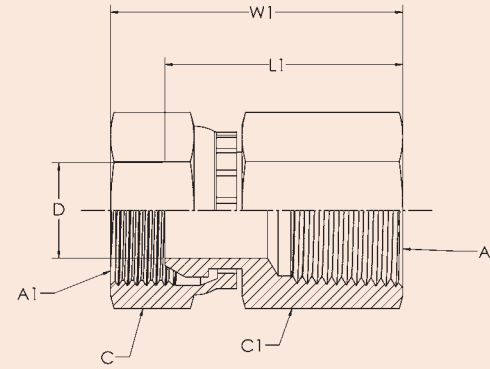
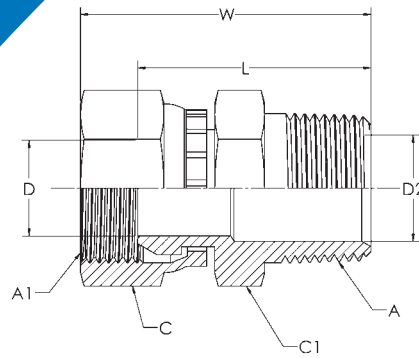
Tube Fitting Part #	T5F	T5M	C Hex	D2 Drill	L	LL After Assy.	Dynamic Pressure Rtg
P-4-4-GCFS	7/16-20	7/16-20	11/16	.172	1.08	.72	5400
P-4-6-GCFS	9/16-18	7/16-20	13/16	.172	1.16	.80	5400
P-6-4-GCFS	7/16-20	9/16-18	11/16	.297	1.03	.64	5400
P-6-8-GCFS	3/4-16	9/16-18	1 1/16	.297	1.38	.99	4800
P-8-6-GCFS	9/16-18	3/4-16	7/8	.438	1.13	.69	5400
P-8-10-GCFS	7/8-14	3/4-16	1 1/8	.391	1.56	1.12	3600
P-10-6-GCFS	9/16-18	7/8-14	1	.484	.81	.31	6000
P-10-8-GCFS	3/4-16	7/8-14	1	.563	1.31	.81	4800
P-10-12-GCFS	1 1/16-12	7/8-14	1 3/8	.484	1.69	1.19	4200
P-12-8-GCFS	3/4-16	1 1/16-12	1 1/4	.625	1.00	.41	5400
P-12-10-GCFS	7/8-14	1 1/16-12	1 1/4	.625	1.53	.94	3600
P-12-16-GCFS	1 5/16-12	1 1/16-12	1 5/8	.625	1.88	1.29	2400
P-16-8-GCFS	3/4-16	1 5/16-12	1 1/2	.750	1.00	.41	6000
P-16-10-GCFS	7/8-14	1 5/16-12	1 1/2	.797	1.00	.41	4200
P-16-12-GCFS	1 1/16-12	1 5/16-12	1 1/2	.750	1.75	1.16	4200
P-16-20-GCFS	1 5/8-12	1 5/16-12	2 1/8	.875	1.97	1.38	3000
P-20-6-GCFS	9/16-18	1 5/8-12	1 7/8	1.063	1.00	.41	3600
P-20-12-GCFS	1 1/16-12	1 5/8-12	1 7/8	1.063	1.00	.41	3600
P-20-16-GCFS	1 5/16-12	1 5/8-12	1 7/8	1.063	1.88	.41	2400
P-20-24-GCFS	1 7/8-12	1 5/8-12	2 1/2	1.63	1.88	1.29	1800
P-24-12-GCFS	1 1/16-12	1 7/8-12	2 1/8	1.250	1.00	.41	2400
P-24-16-GCFS	1 5/16-12	1 7/8-12	2 1/8	1.250	1.00	.41	2400
P-24-20-GCFS	1 5/8-12	1 7/8-12	2 1/8	1.250	1.75	1.16	2400
P-32-24-GCFS	1 7/8-12	2 1/2-12	2 3/4	1.780	1.00	.38	1800

800.333.2636

Omega1.com

PS-C

PS-FC



PS-C

Male Pipe Adapter • NPSM Swivel / Male Pipe Thread

1404
SAE 140130

Tube Fitting PART #	Pipe Size	A1 Pipe THD NPTF	A Swivel THD NPSM	C Hex	C1 Hex	D Drill	D2 Drill	L	W	Dynamic Pressure Rtg
PS-2-2-C	1/8	1/8-27	1/8-27	9/16	9/16	.156	.188	.94	1.09	6000
PS-2-4-C	1/8	1/4-18	1/4-18	11/16	5/8	.219	.188	1.06	1.24	6000
PS-4-4-C	1/4	1/4-18	1/4-18	11/16	11/16	.219	.281	1.25	1.43	6000
PS-4-6-C	1/4	3/8-18	3/8-18	7/8	13/16	.344	.281	1.25	1.45	6000
PS-4-8-C	1/4	1/2-14	1/2-14	1	15/16	.469	.281	1.44	1.44	6000
PS-6-4-C	3/8	1/4-18	1/4-18	11/16	11/16	.219	.406	1.31	1.49	4800
PS-6-6-C	3/8	3/8-18	3/8-18	7/8	7/8	.344	.406	1.31	1.51	4800
PS-6-8-C	3/8	1/2-14	1/2-14	1	15/16	.469	.406	1.44	1.73	4800
PS-8-6-C	1/2	3/8-18	3/8-18	7/8	7/8	.344	.531	1.50	1.70	4200
PS-8-8-C	1/2	1/2-14	1/2-14	1	1	.469	.531	1.62	1.91	4200
PS-8-12-C	1/2	3/4-14	3/4-14	1 1/4	1 1/4	.641	.531	1.69	2.04	4200
PS-12-8-C	3/4	1/2-14	1/2-14	1	1 1/8	.469	.719	1.62	1.91	2700
PS-12-C	3/4	3/4-14	3/4-14	1 1/4	1 1/4	.641	.719	1.69	2.04	2700
PS-12-16-C	3/4	1-11 1/2	1-11 1/2	1 1/2	1 1/2	.844	.719	1.80	2.17	2700
PS-16-12-C	1	3/4-14	3/4-14	1 1/2	1 3/8	.641	.938	1.94	2.29	2400
PS-16-C	1	1-11 1/2	1-11 1/2	1 1/2	1 1/2	.844	.938	2.00	2.37	2400
PS-16-20-C	1	1 1/4-11 1/2	1 1/4-11 1/2	1 7/8	1 3/4	1.141	.938	2.00	2.38	2400
PS-20-16-C	1 1/4	1-11 1/2	1-11 1/2	1 1/2	1 7/8	0.844	1.25	2.09	2.46	1950
PS-20-C	1 1/4	1 1/4-11 1/2	1 1/4-11 1/2	1 7/8	1 7/8	1.141	1.25	2.09	2.47	1950
PS-24-C	1 1/2	1 1/2-11 1/2	1 1/2-11 1/2	2 1/8	2 1/8	1.359	1.5	2.19	2.61	1950
PS-32-C	2	2-11 1/2	2-11 1/2	2 5/8	2 5/8	1.813	1.938	2.37	2.8	1350

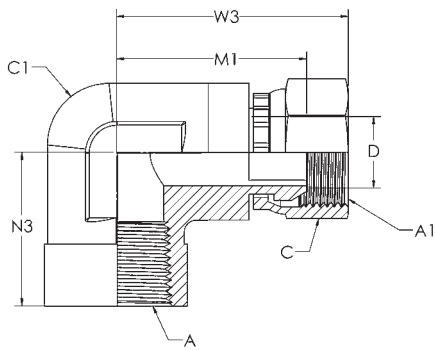
PS-FC

Female Pipe Adapter • NPSM Swivel Pipe Thread

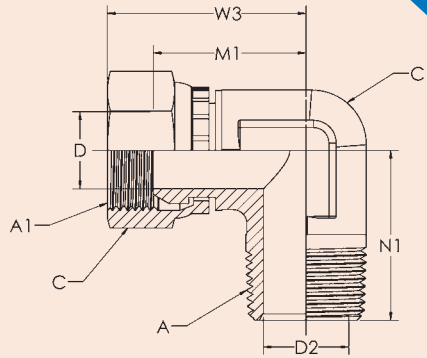
1405
SAE 140131

Tube Fitting PART #	Pipe Size	A Pipe THD NPTF	A1 Swivel THD NPSM	C Hex	C1 Hex	D Drill	L1	W1	Dynamic Pressure Rtg
PS-2-FC	1/8	1/8-27	1/8-27	9/16	9/16	.156	.87	1.02	6000
PS-4-FC	1/4	1/4-18	1/4-18	11/16	11/16	.219	1.25	1.43	6000
PS-6-4-FC	3/8	3/8-18	1/4-18	11/16	7/8	.219	1.31	1.49	4800
PS-6-FC	3/8	3/8-18	3/8-18	7/8	7/8	.344	1.31	1.51	4800
PS-8-6-FC	1/2	1/2-14	3/8-18	7/8	1	.344	1.45	1.65	4200
PS-8-FC	1/2	1/2-14	1/2-14	1	1	.469	1.50	1.79	4200
PS-12-FC	3/4	3/4-14	3/4-14	1 1/4	1 1/4	.641	1.62	1.97	2700
PS-16-FC	1	1-11 1/2	1-11 1/2	1 1/2	1 1/2	.844	2.00	2.37	2400
PS-20-FC	1 1/4	1 1/4-11 1/2	1 1/4-11 1/2	1 7/8	1 7/8	1.141	2.00	2.38	1950
PS-24-FC	1 1/2	1 1/2-11 1/2	1 1/2-11 1/2	2 1/8	2 1/8	1.359	2.00	2.42	1500
PS-32-FC	2	2-11 1/2	2-11 1/2	2 5/8	2 5/8	1.813	2.12	2.55	1350

PS-FE



PS-ME



Pipe Fittings



Female Pipe Elbow • NPSM Swivel / Female Pipe Thread

PS-FE

Tube Fitting PART #	Pipe Size	A1 Pipe THD NPTF	A1 Swivel THD NPSM	C Hex	C1 Hex	D Drill	M1	W3	N3	Dynamic Pressure Rtg
PS-2-2-FE	1/8	1/8-27	1/8-27	9/16	9/16	.156	.80	.95	.66	5000
PS-4-4-FE	1/4	1/4-18	1/4-18	11/16	3/4	.219	.99	1.17	.88	5000
PS-6-6-FE	3/8	3/8-18	3/8-18	7/8	7/8	.344	1.06	1.26	1.02	4000
PS-8-8-FE	1/2	1/2-14	1/2-14	1	1 1/16	.469	1.24	1.53	1.23	3500
PS-12-FE	3/4	3/4-14	3/4-14	1 1/4	1 5/16	.641	1.47	1.82	1.36	2250
PS-16-FE	1	1-11 1/2	1-11 1/2	1 1/2	1 5/8	.844	1.73	2.10	1.62	2000
PS-20-FE	1 1/4	1 1/4-11 1/2	1 1/4-11 1/2	1 7/8	1 7/8	1.141	1.83	2.21	1.70	1625
PS-24-FE	1 1/2	1 1/2-11 1/2	1 1/2-11 1/2	2 1/8	2 1/2	1.359	2.41	2.83	2.08	1250
PS-32-FE	2	2-11 1/2	2-11 1/2	2 5/8	2 4/5	1.813	2.57	3	2.39	1125

1502
SAE140231

Male Pipe Elbow • NPSM Swivel / Male Pipe Thread

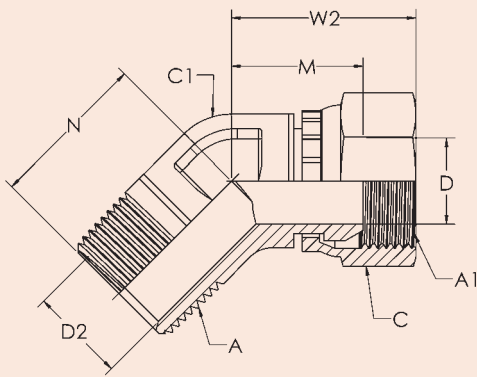
PS-ME

Tube Fitting PART #	Pipe Size	A Pipe THD NPTF	A1 Swivel THD NPSM	C Hex	C1	D Drill	D2 Drill	M1	N1	W3	Dynamic Pressure Rtg
PS-2-2-ME	1/8	1/8-27	1/8-27	9/16	7/16	.156	.188	.70	.72	.85	5000
PS-4-4-ME	1/4	1/4-18	1/4-18	11/16	9/16	.219	.281	.88	1.09	1.06	5000
PS-4-6-ME	1/4	1/4-18	3/8-18	7/8	3/4	.344	.281	.99	1.09	1.28	5000
PS-6-4-ME	3/8	3/8-18	1/4-18	11/16	3/4	.219	.406	.99	1.22	1.17	4000
PS-6-6-ME	3/8	3/8-18	3/8-18	7/8	3/4	.344	.406	.99	1.22	1.28	4000
PS-6-8-ME	3/8	3/8-18	1/2-14	1	3/4	.469	.406	1.04	1.22	1.33	4000
PS-8-6-ME	1/2	1/2-14	3/8-18	7/8	7/8	.344	.531	1.06	1.47	1.35	3500
PS-8-8-ME	1/2	1/2-14	1/2-14	1	7/8	.469	.531	1.11	1.47	1.4	3500
PS-8-12-ME	1/2	1/2-14	3/4-14	1 1/4	1 1/16	.641	.531	1.30	1.47	1.65	3500
PS-12-6-ME	3/4	3/4-14	3/8-18	7/8	1 1/16	.344	.719	1.19	1.59	1.48	2250
PS-12-8-ME	3/4	3/4-14	1/2-14	1	1 1/16	.469	.719	1.24	1.59	1.53	2250
PS-12-ME	3/4	3/4-14	3/4-14	1 1/4	1 1/16	.641	.719	1.30	1.59	1.65	2250
PS-16-12-ME	1	1-11 1/2	3/4-14	1 1/2	1 5/16	.641	.938	1.47	1.97	1.82	2000
PS-16-ME	1	1-11 1/2	1-11 1/2	1 1/2	1 5/16	.844	.938	1.54	1.97	1.91	2000
PS-20-ME	1 1/4	1 1/4-11 1/2	1 1/4-11 1/2	1 7/8	1 5/8	1.141	1.25	1.73	2.38	2.11	1625
PS-24-ME	1 1/2	1 1/2-11 1/2	1 1/2-11 1/2	2 1/8	1 7/8	1.359	1.5	1.89	2.64	2.31	1250
PS-32-ME	2	2-11 1/2	2-11 1/2	2 5/8	2 1/2	1.813	1.938	2.27	3	2.7	1125

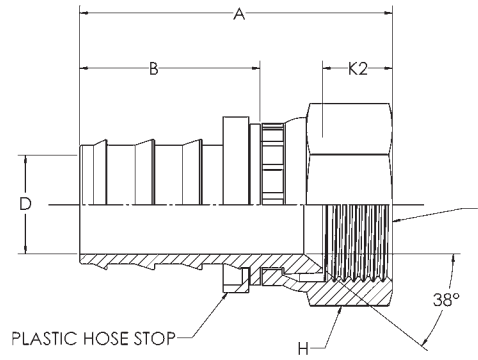
1501
SAE140230

C1 HEX ACROSS THE FLATS

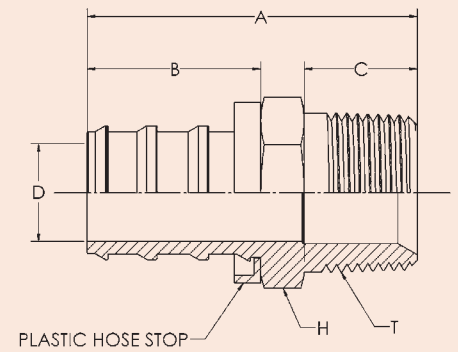
PS-ME-45



PL-JS



PL-MP



PS-ME-45

Male Pipe Elbow • NPSM Swivel/Male Pipe Thread

SAE140330

Tube Fitting PART #	Pipe Size	A Pipe THD NPTF	A1 Swivel THD NPSM	C Hex	C1	D Drill	D2 Drill	M	N	W2	Dynamic Pressure Rtg
PS-2-2-ME-45	1/8	1/8-27	1/8-27	9/16	7/16	.156	.188	.62	.52	.77	5000
PS-4-4-ME-45	1/4	1/4-18	1/4-18	11/16	9/16	.219	.281	.73	.86	.91	5000
PS-6-6-ME-45	3/8	3/8-18	3/8-18	7/8	3/4	.344	.406	.81	.95	1.10	4000
PS-8-6-ME-45	1/2	1/2-14	3/8-18	7/8	7/8	.344	.531	.81	1.17	1.10	3500
PS-8-8-ME-45	1/2	1/2-14	1/2-14	1	7/8	.469	.531	.88	1.17	1.17	3500
PS-8-12-ME-45	1/2	1/2-14	3/4-14	1 1/4	1 1/16	.641	.531	.87	1.20	1.22	3500
PS-12-8-ME-45	3/4	3/4-14	1/2-14	1	1 1/16	.469	.719	.94	1.20	1.23	2250
PS-12-ME-45	3/4	3/4-14	3/4-14	1 1/4	1 1/16	.641	.719	1.02	1.20	1.37	2250
PS-16-12-ME-45	1	1-11 1/2	3/4-14	1 1/4	1 5/16	.641	.938	1.12	1.48	1.47	2000
PS-16-ME-45	1	1-11 1/2	1-11 1/2	1 1/2	1 5/16	.844	.938	1.15	1.48	1.52	2000
PS-20-ME-45	1 1/4	1 1/4-11 1/2	1 1/4-11 1/2	1 7/8	1 5/8	1.141	1.250	1.23	1.67	1.61	1625
PS-24-ME-45	1 1/2	1 1/2-11 1/2	1 1/2-11 1/2	2 1/8	1 7/8	1.359	1.500	1.35	1.77	1.77	1250
PS-32-ME-45	2	2-11 1/2	2-11 1/2	2 5/8	2 1/2	1.813	1.938	1.46	2.11	1.89	1125

PL-JS

Push-On Hose Barb • Push On Hose Barb End/Female JIC Swivel End

2111

Tube Fitting PART #	Hose ID	Tube O.D.	T Thread	A	B	D	K2	H
PL-4-4-JS	1/4	1/4	7/16-20	1.56	.81	.17	.34	9/16
PL-6-6-JS	3/8	3/8	9/16-18	1.81	.95	.30	.38	11/16
PL-8-6-JS	3/8	1/2	3/4-16	1.88	.95	.30	.42	11/16
PL-8-8-JS	1/2	1/2	3/4-16	1.88	.95	.39	.42	7/8
PL-10-10-JS	5/8	5/8	7/8-14	2.58	1.50	.48	.50	7/8
PL-12-JS	3/4	3/4	1-1/16-12	2.65	1.50	.61	.58	1-1/4
PL-16-JS	1	1	1-5/16-12	2.77	1.50	.84	.59	1-1/2

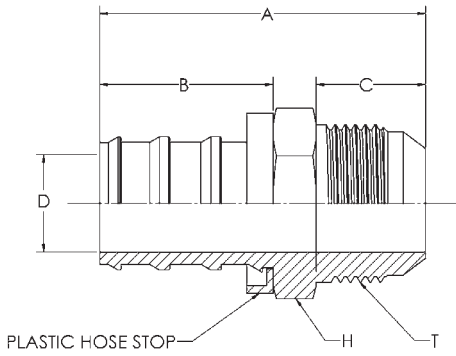
PL-MP

Push-On Hose Barb • Push On Hose Barb End/Male Pipe End

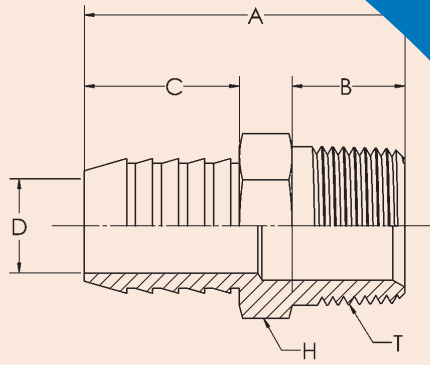
2113

Tube Fitting PART #	Hose ID	Pipe Size T-THRD	A	B	C	D	H
PL-2-4-MP	1/4	1/8 x 27	1.39	.81	.39	.19	7/16
PL-4-4-MP	1/4	1/4 x 18	1.58	.81	.57	.19	9/16
PL-4-6-MP	3/8	1/4 x 18	1.78	.95	.57	.28	9/16
PL-6-4-MP	1/4	3/8 x 18	1.64	.81	.57	.19	11/16
PL-6-6-MP	3/8	3/8 x 18	1.78	.95	.57	.30	11/16
PL-6-8-MP	1/2	3/8 x 18	1.93	.95	.57	.39	11/16
PL-6-10-MP	5/8	3/8 x 18	2.39	1.5	.57	.48	7/8
PL-8-6-MP	3/8	1/2 x 14	2.03	.95	.76	.30	7/8
PL-8-8-MP	1/2	1/2 x 14	2.18	.95	.76	.39	7/8
PL-8-10-MP	5/8	1/2 x 14	2.58	1.5	.76	.50	7/8
PL-12-MP	3/4	3/4 x 14	2.61	1.5	.76	.61	1-1/8
PL-16-MP	1	1 x 11 - 1/2	2.86	1.5	.95	.84	1-3/8

PL-TX



M2HC



Pipe Fittings

P

PL-TX

Hose Barb Connector • Hose Barb End/Male Flare End

PART #	Hose	Tube	T Thread	A	B	C	D	Hex
PL-4-4-TX	1/4	1/4	7/16-20	1.57	.81	.550	.17	1/2
PL-6-6-TX	3/8	3/8	9/16-18	1.78	.95	.556	.30	5/8
PL-8-8-TX	1/2	1/2	3/4-16	2.06	.95	.657	.39	13/16

2116

Hose Barb Connector • Hose Barb End/Male Pipe End

Tube Fitting PART #	Hose ID	Pipe Size T-THRD	Barb O.D. Max	A	B	C	D	H
1/8M2HC1/8	1/8	1/8 x 27	.160	1.00	.39	.41	.078	7/16
1/8M2HC1/4	1/8	1/4 x 18	.160	1.22	.57	.41	.078	9/16
1/4M2HC1/8	1/4	1/8 x 27	.303	1.41	.39	.78	.188	7/16
1/4M2HC1/4	1/4	1/4 x 18	.303	1.59	.57	.78	.188	9/16
1/4M2HC3/8	1/4	3/8 x 18	.303	1.62	.57	.78	.188	11/16
1/4M2HC1/2	1/4	1/2 x 14	.303	1.84	.76	.78	.188	7/8
3/8M2HC1/4	3/8	1/4 x 18	.450	1.71	.57	.88	.281	9/16
3/8M2HC3/8	3/8	3/8 x 18	.450	1.72	.57	.88	.297	11/16
3/8M2HC1/2	3/8	1/2 x 14	.450	1.85	.76	.88	.297	7/8
1/2M2HC1/2	1/2	1/2 x 14	.600	2.00	.76	.94	.375	7/8
1/2M2HC1/4	1/2	1/4 x 18	.600	1.82	.57	.94	.281	5/8
1/2M2HC3/8	1/2	3/8 x 18	.600	1.81	.57	.94	.375	11/16
1/2M2HC3/4	1/2	3/4 x 14	.600	2.04	.76	.94	.375	1-1/16
5/8M2HC1/2	5/8	1/2 x 14	.725	2.00	.76	.94	.500	7/8
3/4M2HC1/2	3/4	1/2 x 14	.900	2.09	.76	1.03	.531	1-1/16
3/4M2HC3/4	3/4	3/4 x 14	.900	2.13	.76	1.03	.625	1-1/16
3/4M2HC1	3/4	1 x 11-1/2	.900	2.40	.95	1.03	.625	1-3/8
1M2HC3/4	1	3/4 x 14	1.173	2.31	.76	1.13	.625	1-3/16
1M2HC1	1	1 x 11-1/2	1.173	2.50	.95	1.13	.780	1-3/8

M2HC



OmegaOne

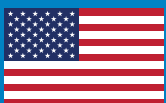
P 800.333.2636

F 888.900.1615

38373 Pelton Road
Willoughby, OH 44094

sales@Omega1.com

www.Omega1.com



Made in the USA



MEMBER
THE ASSOCIATION FOR HOSE AND
ACCESSORIES DISTRIBUTION